

Contrast sensor CPES Series



Features:

- ◆ With small spot size and rapid response, to complete the high-speed detection work;
- ◆ Fast response, suitable for high-speed applications;
- ◆ Push-pull output can be flexibly configured NPN or PNP output according to the actual needs of the scene;
- ◆ Have memory function, even after the power is off, it can still maintain the settings after power on again.

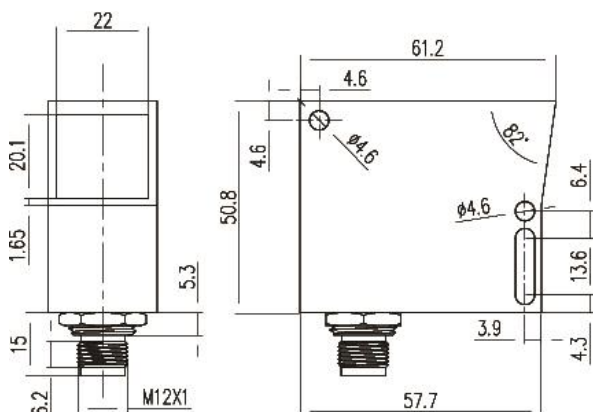
Part number

CPES-BGHA28-E4 CPES-IGHA28-E4

Technical specifications

Spot diameter	3mm@28mm	1mm@28mm	Adjustment method	Button MARK and BKGD
Sensing mode	Diffuse trans-focus type		Circuit protection	Short-circuit, overload and reverse polarity
Sensing distance	28mm		Power indicator	Green LED
Focus	28mm±3mm		Output indicator	Yellow LED
Output	Push-pull output + analog output (0...5V)		Shown indicator	Yellow LED/Green LED alternately
Light source	UV light		Ambient temperature	-10°C...55°C
Supply voltage	12...24VDC		Storage temperature	-20°C...70°C
Response time	Max, 150uS		Housing material	Plastic
Switching frequency	6Khz		Degree of protection	IP65 (IEC)
Load current	≤100mA		Size	51mm×61mm×25mm
Residual voltage	≤2.5V		Weight	About 95g
Consumption current	<60mA		Connection type	M12 connector

Dimensions



Wiring diagram

